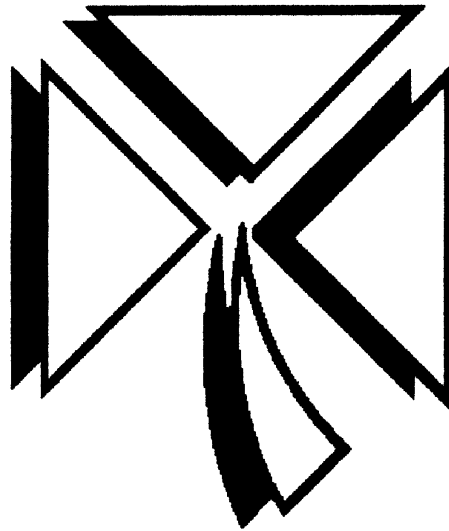


# **AUTOMATIC GREASE DISPENSER INSTRUCTION MANUAL**



**SHAMROCK AUTOMATION, INC.**

**320 Industrial Park Road  
Harrison, Arkansas 72601**

**Phone: (800)458-5702**

**Fax: (870)741-9656**

## Table of Contents

Grease Dispenser Installation Instructions .....	Page 3
Automatic Grease Dispenser Model "C" Parts List .....	Page 4
Grease Dispenser Exploded View .....	Page 5
Grease Dispenser Full View.....	Page 6
Warranty.....	Page 7

## GREASE DISPENSER INSTALLATION INSTRUCTIONS

- 1) Install the Grease Dispenser Tank on the face of the platen so that the discharge tube tip is higher than the pump housing, on the bottom of the Grease Dispenser tank. The unit may also be used to grease through drilled shot rods simply by hooking a hose to the drilled passage.

**NOTE: If the lube gets too warm, place washers behind the tank as a stand off, giving dead airspace behind the tank.**

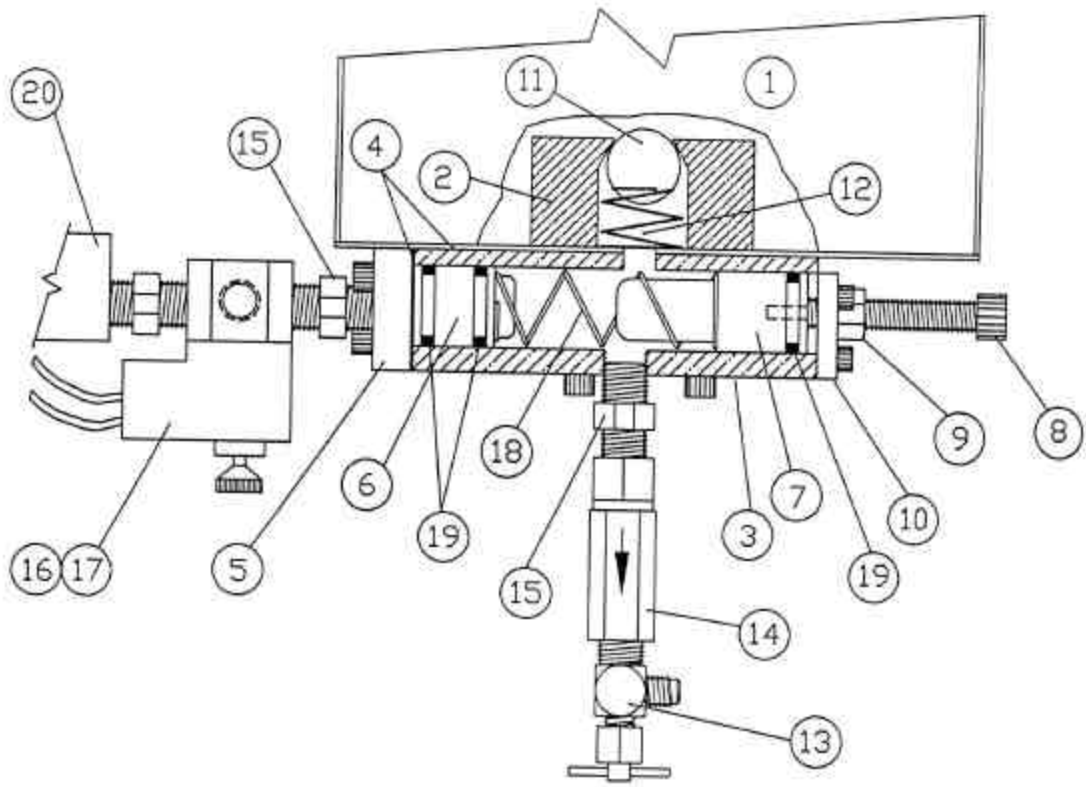
- 2) Install the air regulator and connect to compressed air supply line.

**DO NOT plug relief port in air valve.**

- 3) Fill tank with grease.
- 4) Cycle system using manual override. Set desired quantity of lube to be delivered by adjusting the 3/8 screw in the end of the housing. This limits piston travel.
- 5) Set flow rate by closing petcock in discharge line.
- 6) Connect 110V AC to Grease Dispenser valve solenoid from your controller as required.
- 7) System is now ready for use.

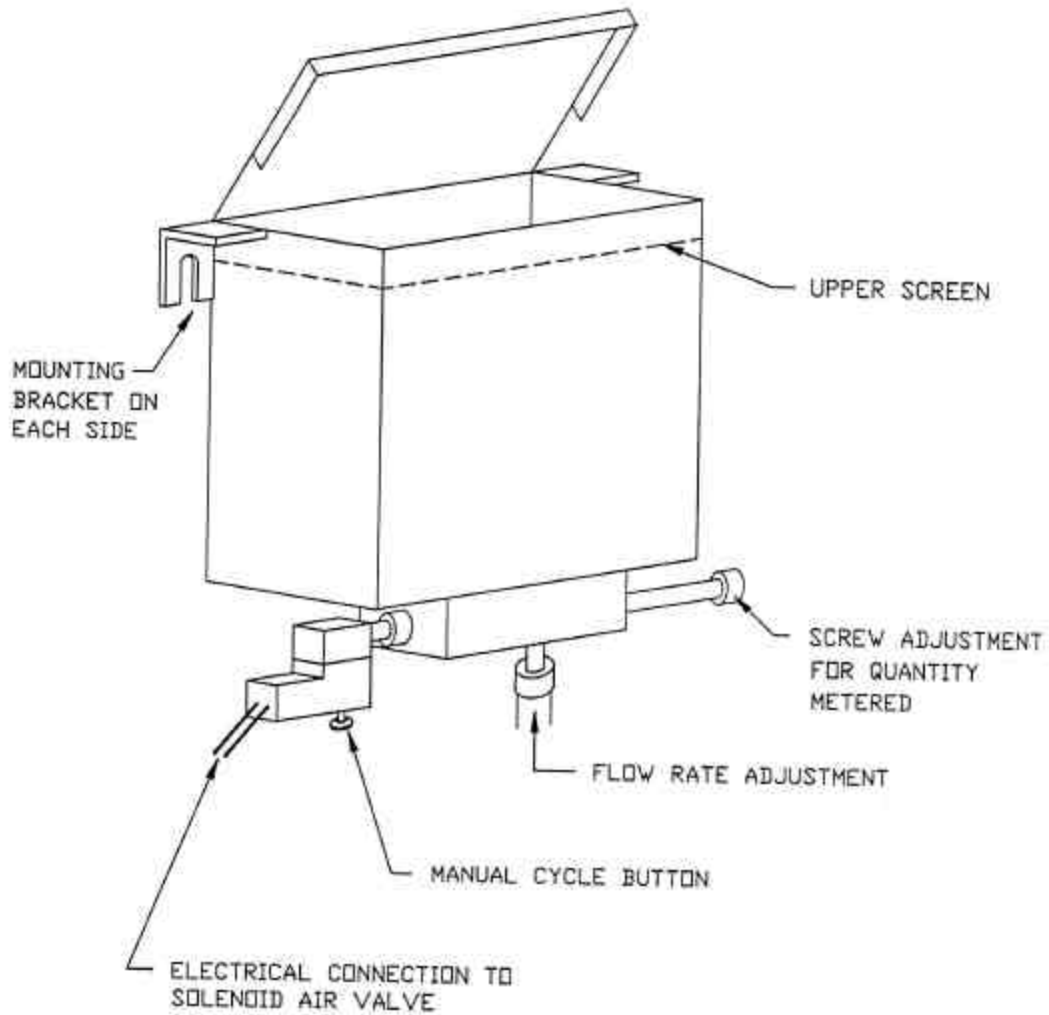
**AUTOMATIC GREASE DISPENSER  
MODEL "C" PART LIST**

<b>NR</b>	<b>PNUM</b>	<b>PNAME</b>	<b>RQTY</b>
1	30140030	LUBE RESERVOIR 1-GAL.	1
	30140040	LUBE RESERVOIR 2-GAL.	1
2	30140070	SLUDGE RING	1
3	30140090	HOUSING	1
4	30140100	GASKET SET	1
5	30140110	FRONT END CAP	1
6	30140120	PISTON	1
7	30140130	STROKE ADJUSTABLE SLEEVE	1
8	30140140	STROKE ADJUSTABLE SCREW	1
9	34800800	ADJUSTABLE SCREW LOCK	1
10	30140160	REAR END CAP	1
11	30140180	CHECK BALL	1
12	30140190	BALL SPRING	1
13	30140200	90° SERVICE COCK	1
14	30140210	INLINE CHECK VALVE	1
15	32891950	1/4 HEX NIPPLE	2
16	30140230	AIR VALVE	1
17	30140235	COIL (REPLACEMENT)	1
18	30140250	RETURN SPRING	1
19	30140260	O'RING (3 REQUIRED)	3
20	30140220	REGULATOR	1



 **SHAMROCK**  
P.O. BOX 1813 HARRISON, ARKANSAS 72601

PLUNGER TIP GREASE DISPENSER  
MODEL GD



 **SHAMROCK**  
P.O. BOX 1813 HARRISON, ARKANSAS 72601

## WARRANTY

Seller fully warrants that equipment, service, repair or parts supplied shall conform to the description in the quotation and agrees to repair or replace F.O.B. shipping point, any parts (excepting expendable items such as ladle cups, ladle attachment brackets, ladle attachment arms, hydraulic seals, fuses, etc), services, or repairs that fail due to defects in material or workmanship within (1) one year of start-up of equipment or eighteen (18) months after shipment, whichever occurs first, or in the case of service, repairs, or part within one (1) year of supplying such service, repair, or part. If the equipment, service, repair, part includes software, Seller warrants, for a period of one (1) year of start-up or eighteen (18) months after shipment, whichever occurs first, that the software supplied or serviced will meet its published functional specifications. Should software fail to meet the specifications, or be otherwise defective, Seller shall promptly correct errors or non-conformities. If correction is not possible, Seller shall replace defective software, or, at Seller's option, refund the purchase price paid for such software. Other than those expressly state herein, THERE ARE NO OTHER WARRANTIES OF ANY KIND, EXPRESSED OR IMPLIED, AND SPECIFICALLY EXCLUDED, BUT NOT BY WAY OF LIMITATION, ARE THE IMPLIED WARRANTIES OF FITNESS FOR PARTICULAR PURPOSE AND MERCHANTABILITY.

IT IS UNDERSTOOD AND AGREED THAT SELLER'S LIABILITY, WHETHER IN CONTRACT, IN TORT, UNDER ANY WARRANTY, IN NEGLIGENCE OR OTHERWISE SHALL NOT EXCEED AND BUYER'S REMEDY IS LIMITED TO EITHER (I) REPAIR OR REPLACEMENT OF THE DEFECTIVE PARTS F.O.B. SHIPPING POINTS OR CORRECTION OF DEFECTIVE SERVICE OR REPAIR, OR AT SELLER'S OPTION (II) RETURN OF THE PRODUCT AND REFUND OF THE PURCHASE OF SERVICE PRICE. UNDER NO CIRCUMSTANCES SHALL SELLER BE LIABLE FOR SPECIAL, INDIRECT, INCIDENTAL, OR CONSEQUENTIAL DAMAGES, THE PRICE STATED FOR THE EQUIPMENT, SERVICE, REPAIR OR PARTS IS A CONSIDERATION IN LIMITING SELLER'S LIABILITY. NO ACTION, REGARDLESS OF FORM, ARISING OUT OF THE TRANSACTIONS OF THIS AGREEMENT MAY BE BROUGHT BY PURCHASER MORE THAN ONE YEAR AFTER THE CAUSE OF ACTION HAS ACCRUED. THE WARRANTY FOR THE EQUIPMENT, SERVICE, REPAIR, OR PARTS PROPOSED IN THIS QUOTATION AS STATED IN THE ABOVE PARAGRAPHS. IT IS NOT RE-STATED-NOR DOES IT APPEAR IN ANY OTHER FORM.